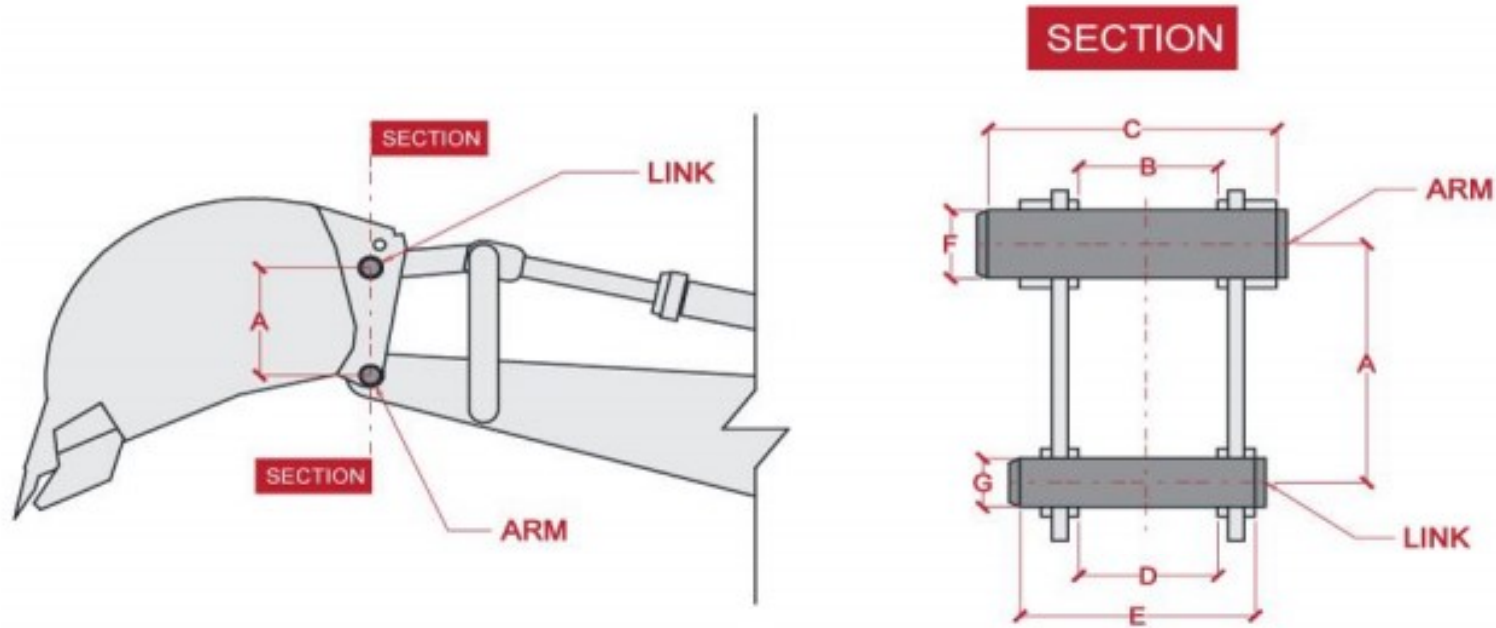


Hydraulic Attachments Order Guide Form



Hydraulic Attachments Order Guide Form	
Name	
email	
phone	
Notes	
Excavator Information	
Excavator Information	
Excavator Information	
Excavator Information	
Notes	
Attachment	
Top Adapter Type	

Bucket Pin Dimensions



A

B

C

D

E

F

G

***Is the quick coupler installed on the excavator? YES__ , NO __**